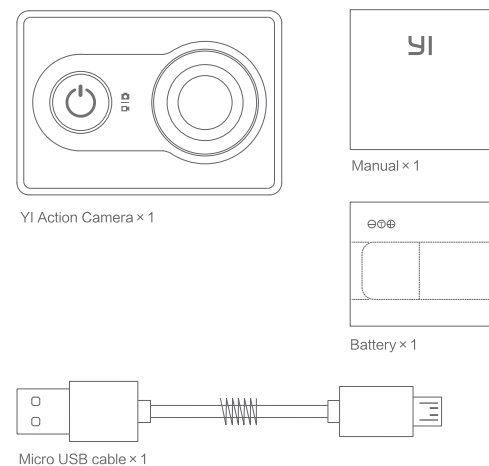


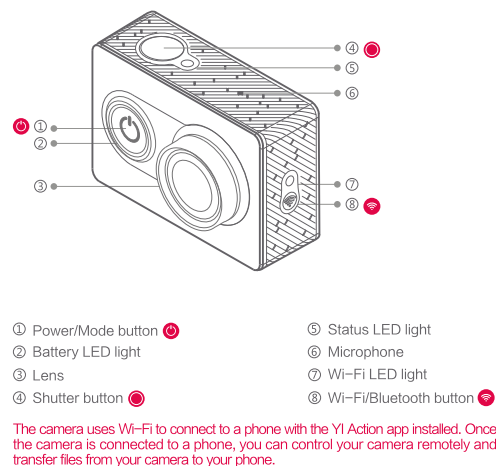


Thank you for choosing Yi Action Camera

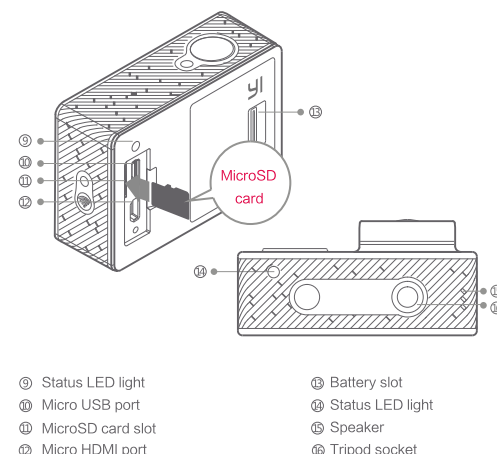
1.Camera kit



2.Getting to know the camera



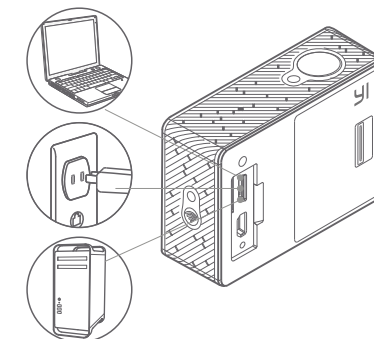
The camera uses Wi-Fi to connect to a phone with the Yi Action app installed. Once the camera is connected to a phone, you can control your camera remotely and transfer files from your camera to your phone.



Tips: We recommend using a 16-128GB micro SD card, class 10 or UHS-1 (not included)

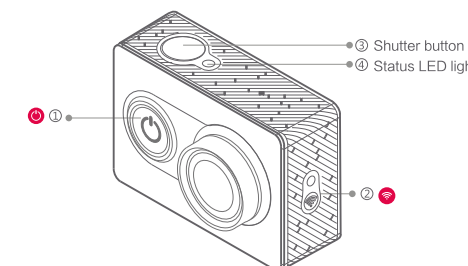
3.Battery charging

You can charge the camera by connecting the camera to a power adapter or a computer with a micro USB cable. When charging using a computer, the camera must be powered off.



Attention: It is illegal in many jurisdictions to record audio and/or video without the consent of all individuals. You must comply with all laws when using your Yi Action Camera.

4.How to use the camera



- 1) Turn on the camera: Click on the Power/Mode button. The LED light will blink few times. Turn off the camera: Press the Power/Mode button for 3 seconds. The LED light will blink 7 times. 2) Turn on Wi-Fi: Click on the Wi-Fi button. The Wi-Fi LED light will start to blink. Turn off Wi-Fi: Click on the Wi-Fi button again. The Wi-Fi LED light will blink 5 times before turns off.

By using the app, you can control the camera or transfer files from the camera to your phone. The camera can also be controlled by a Bluetooth remote control (sold separately).

3) Switching camera modes

Click on the Power/Mode button quickly to switch between photo and video mode.

Photo:

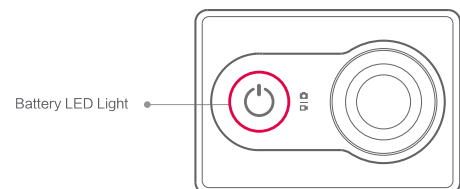
By default, the camera will start in photo mode (you can change the default configuration on the Yi Action Camera App) Click the Shutter button to take photo.

Video:

Click the Power/Mode button again to switch mode to video. Click the Shutter button to start recording. Click the Shutter button again to stop recording.

4) Battery LED Light

- Blue : 50%-100% charged
- Purple : 15%-49% charged
- Red : 0%-14% charged



5) Download the camera app

Scan the following QR code to download Yi Action Camera App to preview, record/take and share videos/photos through your smart phone.



Tips: You can find the App on the App Store® or Google Play store by searching for Yi Action.

6) Firmware update

Update through the App: Make sure the camera is connected to a power source or has more than 50% battery.

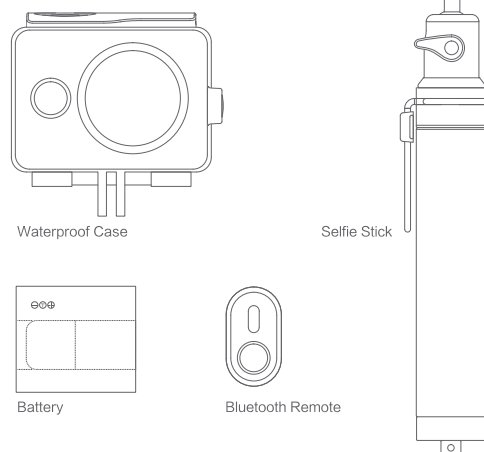
7) Factory settings

If you want to reset your settings to factory defaults, just hold down the Power and Wi-Fi buttons for two seconds. You will hear a beep when the camera is reset.

8) Attention

To use the camera as a car dashboard camera, remove the battery and plug the camera to a power source through the micro USB cable.

9) Accessories (sold separately)



Tips: More accessories are coming soon. Stay tuned at www.xiaoyi.com/en/

10) Camera Information

Product Name: Yi Action Camera Model: YDXJ01XY
Lens: F2.8 DFOV155° Input Current: 1A
Focal Length: 2.73 ± 5%mm Input Voltage: 5V
Video Specifications: Support up to 1080p 60fps Operate Temperature: 0°C-45°C
Sensor: SONY 16 million pixel CMOS Operate Humidity: 15-85%RH
Weight: 76.6g (Camera + Battery) Storage Temperature: -20°C-45°C
Storage Standards: MicroSDHC, and MicroSDXC memory card Typical Power Consumption: 2W

11) Technical support

Please visit http://www.xiaoyi.com/support to get technical support.

IMPORTANT SAFETY GUIDELINES

- 1. READ this user manual carefully.
2. CLEAN ONLY with dry cloth.
3. DO NOT use near any heat sources such as radiators, heat registers, stoves, or other apparatus (including amplifiers) that product heat.
4. ONLY USE attachments/accessories specified by the manufacturer.
5. To get the best usage out of this product, please consistently update to the latest versions of our app and firmware.

*Xiaoyi" and "YI" logo are trademarks of Shanghai Xiaoyi Technology Co.,Ltd. The terms HDMI and HDMI High-Definition Multimedia Interface, and the HDMI Logo are trademarks or registered trademarks of HDMI Licensing LLC in the United States and other countries.

WARNING: No naked flame sources - such as candles - should be placed on the product

Thank you for choosing Yi Action Camera. Please read this manual carefully and save it for future needs.

This device complies with Part 15 of the FCC Rules / Industry Canada licence-exempt RSS standard(s). Operation is subject to the following two conditions: (1) this device may not cause harmful interference, and (2) this device must accept any interference received, including interference that may cause undesired operation.

Le présent appareil est conforme aux CNR d'industrie Canada applicables aux appareils radio exempts de licence. L'exploitation est autorisée aux deux conditions suivantes : (1) l'appareil ne doit pas produire de brouillage, et (2) l'utilisateur de l'appareil doit accepter tout brouillage radio-électrique subi, même si le brouillage est susceptible d'en compromettre le fonctionnement.

Changes or modifications not expressly approved by the party responsible for compliance could void the user's authority to operate the equipment.

This equipment has been tested and found to comply with the limits for a Class B digital device, pursuant to part 15 of the FCC Rules. These limits are designed to provide reasonable protection against harmful interference in a residential installation. This equipment generates uses and can radiate radio frequency energy and, if not installed and used in accordance with the instructions, may cause harmful interference to radio communications. However, there is no guarantee that interference will not occur in a particular installation. If this equipment does cause harmful interference to radio or television reception, which can be determined by turning the equipment off and on, the user is encouraged to try to correct the interference by one or more of the following measures:

- Reorient or relocate the receiving antenna.
• Increase the separation between the equipment and receiver.
• Connect the equipment into an outlet on a circuit different from that to which the receiver is connected.
• Consult the dealer or an experienced radio/TV technician for help.

Under Industry Canada regulations, this radio transmitter may only operate using an antenna of a type and maximum (or lesser) gain approved for the transmitter by Industry Canada. To reduce potential radio interference to other users, the antenna type and its gain should be so chosen that the equivalent isotropically radiated power (e.i.r.p.) is not more than that necessary for successful communication.

Conformément à la réglementation d'industrie Canada, le présent émetteur radio peut fonctionner avec une antenne d'un type et d'un gain maximal (ou inférieur) approuvé pour l'émission par Industrie Canada. Dans le but de réduire les risques de brouillage radioélectrique à l'attention des autres utilisateurs, il faut choisir le type d'antenne et son gain de sorte que la puissance isotrope rayonnée équivalente (p.i.r.e.) ne dépasse pas l'intensité nécessaire à l'établissement d'une communication satisfaisante.

The device complies with RF specifications when used near your head or body. This device is also designed to meet the requirements for exposure to radio waves established by the Federal Communications Commission (USA). The SAR limit adopted by the USA is 1.6 W/kg averaged over one gram of tissue. The highest SAR value reported to the FCC for this device type complies with this limit. The highest SAR value reported to the FCC for this device type when using at the head is 0.545 W/kg, and when properly worn on the body is 0.536 W/kg.

CAUTION RISK OF EXPLOSION IF BATTERY IS REPLACED BY AN INCORRECT TYPE. DISPOSE OF USED BATTERIES ACCORDING TO THE INSTRUCTIONS.

Le remplacement incorrect de la batterie est susceptible d'enrayer un risque d'explosion. Veuillez jeter les batteries usagées selon les instructions.



FCC ID:2AFIB-E1300A